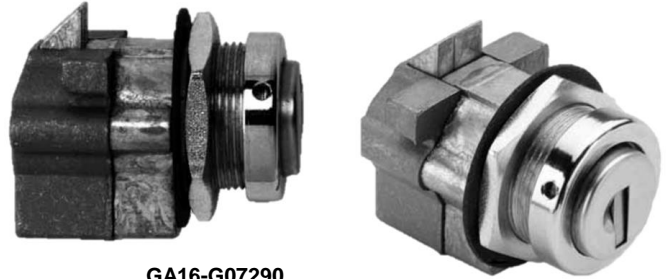


GA16 Push Button Lock With Slam Action

Features

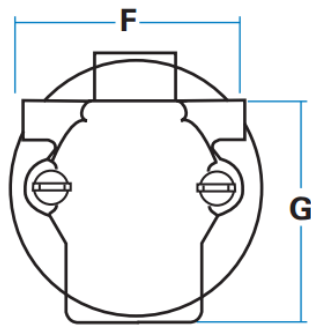
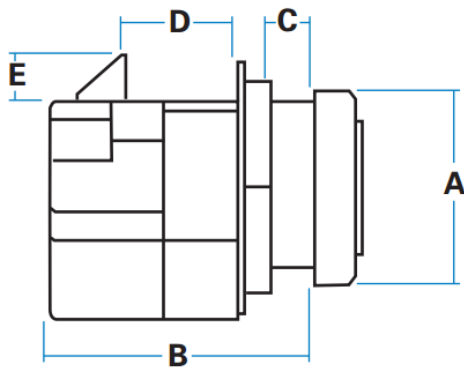
- Useful lock for lids and compartments, which slams shut and is opened by pushing the front button
- Easily fixed and can accommodate some variation in panel thickness
- Lock slams against panel edge or striker, opens with gentle pressure on front face
- Key turns 180° to block button



GA16-G07290
(showing bezel with holes for tightening onto threaded 'neck')

Notes

- Insert from rear into panel cut-out, fit bezel onto threaded 'neck' and tighten using circlip pliers or similar tool. Large nut allows adjustment to suit panel thickness.



Part No.	Type	A	B	C	D	E	F	H
GA16-G07290	FS Key	25	31	Up to 5 mm	13	5.5	27	26
GA16-G07290-01	FS880 Key							
GA16-G07291	Plain Lock							